

Features

- Two lever handles offer separate control of hot and cold water.
- 8-1/4" (210 mm) spout reach.
- 10.0 gpm (3.8 lpm) maximum flow rate at 45 psi (3.1 bar).
- Coordinates with other products in the Parallel collection.

Material

- Premium metal construction for durability and reliability.
- KOHLER finishes resist corrosion and tarnishing.

Installation

- Three-hole.
- Deck-mount.

Recommended Products/Accessories

K-23726 Drain treatment
K-23723 Faucet cleaner



ADA CSA B651 OBC

Codes/Standards


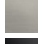

ASME A112.18.1/CSA B125.1
ADA
ICC/ANSI A117.1
CSA B651
OBC

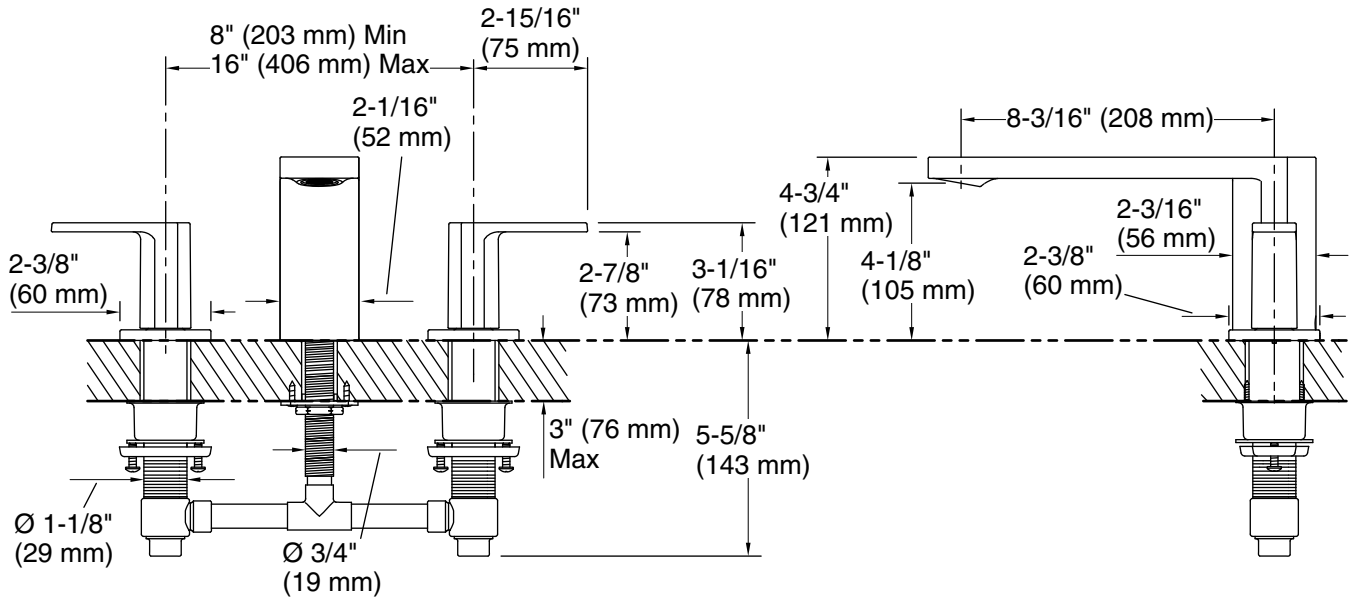
KOHLER® Faucet Lifetime Limited Warranty

See website for detailed warranty information.

Available Colors/Finishes

Color tiles intended for reference only.

Color	Code	Description
	CP	Polished Chrome
	BN	Vibrant® Brushed Nickel
	BL	Matte Black



Technical Information

All product dimensions are nominal.

Faucet:

- Flow rate: 10 gal/min (37.9 l/min)
- Pressure: 45 psi (3.1 bar)
- Valve body: Machined-brass
- Drain included: No
- Drain with overflow: Yes

Spout:

- Spout reach: 8-1/4" (209 mm)

Notes

Install this product according to the installation instructions.

ADA, OBC, CSA B651 compliant when installed to the specific requirements of these regulations.